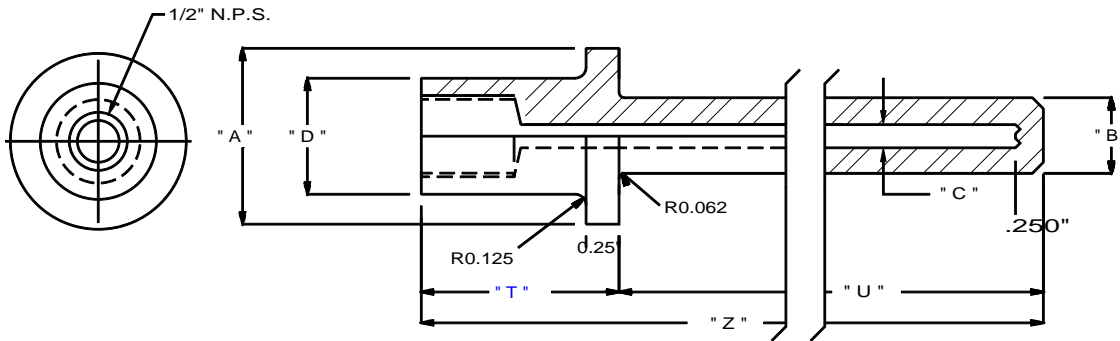


SENSOR THERMOWELLS



VAN STONE- STRAIGHT, BARSTOCK

PART NO.	" A " * FACE DIA	" B " STEM DIA.	" D " ** DIA.	" C " BORE	" T " STANDARD
710S	PER FLG. Size	1.0"	PER FLG. Size	.500"	2.62"
711S	PER FLG. Size	.88"	PER FLG. Size	.437"	2.62"
714S	PER FLG. Size	.75"	PER FLG. Size	.390"	2.62"
715S	PER FLG. Size	.62"	PER FLG. Size	.265"	2.62"
716S	PER FLG. Size	1.0"	PER FLG. Size	.718"	2.62"

HOW TO ORDER:

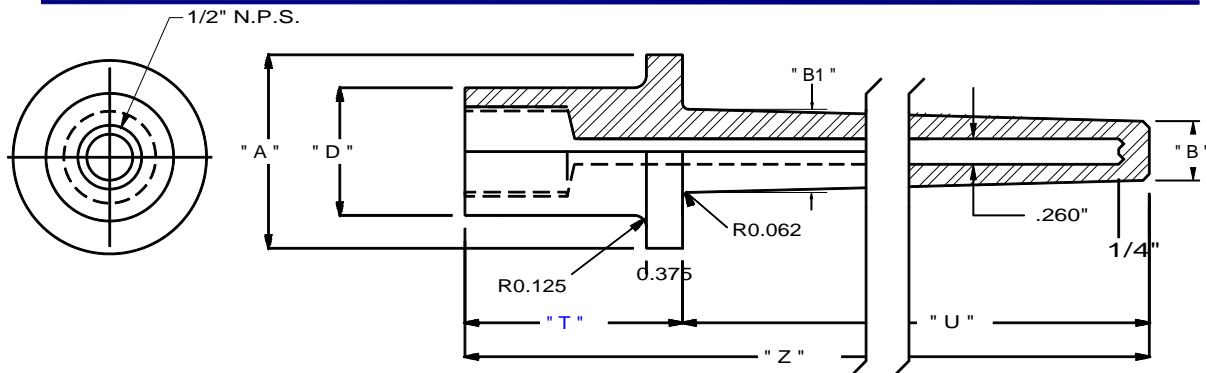
* "A" DIA. FOR 1" FLANGE= 2.00"

"A" DIA. FOR 1-1/2" FLANGE= 2.88"

** "D" DIA. FOR 1" FLANGE= 1.32"

"D" DIA. FOR 1-1/2" FLANGE= 1.90"

PART NO.	MATERIAL (SEE TABLE)	FLANGE (SEE TABLE)	LENGTH " U "	LENGTH " T " IF DIFFERENT FROM STD.	OPTIONS AS REQUIRED
----------	-------------------------	-----------------------	--------------	--	------------------------



VAN STONE- TAPERED, BARSTOCK

PART NO.	" A " * FACE DIA	" B " STEM DIA.	" B1 " STEM DIA.	" D " ** DIA.	" C " BORE	" T " STANDARD
710T	PER FLG. Size	1.0"	1.18"	PER FLG. Size	.500"	2.62"
711T	PER FLG. Size	.88"	1.18"	PER FLG. Size	.437"	2.62"
714T	PER FLG. Size	.75"	.88"	PER FLG. Size	.390"	2.62"
715T	PER FLG. Size	.62"	.88"	PER FLG. Size	.265"	2.62"
716T	PER FLG. Size	1.0"	1.18"	PER FLG. Size	.718"	2.62"

HOW TO ORDER:

* "A" DIA. FOR 1" FLANGE= 2.00"

"A" DIA. FOR 1-1/2" FLANGE= 2.88"

** "D" DIA. FOR 1" FLANGE= 1.32"

"D" DIA. FOR 1-1/2" FLANGE= 1.90"

PART NO.	MATERIAL (SEE TABLE)	FLANGE (SEE TABLE)	LENGTH " U "	LENGTH " T " IF DIFFERENT FROM STD.	OPTIONS AS REQUIRED
----------	-------------------------	-----------------------	--------------	--	------------------------

TEMTEX Temperature Systems, Inc

19053 W. US HWY 82, SHERMAN, TEXAS 75092

(800) 527-2009 - (903) 813-1500 - FAX (903) 813-1950

e-mail: temtex@temtex.net

WWW.TEMTEX.NET