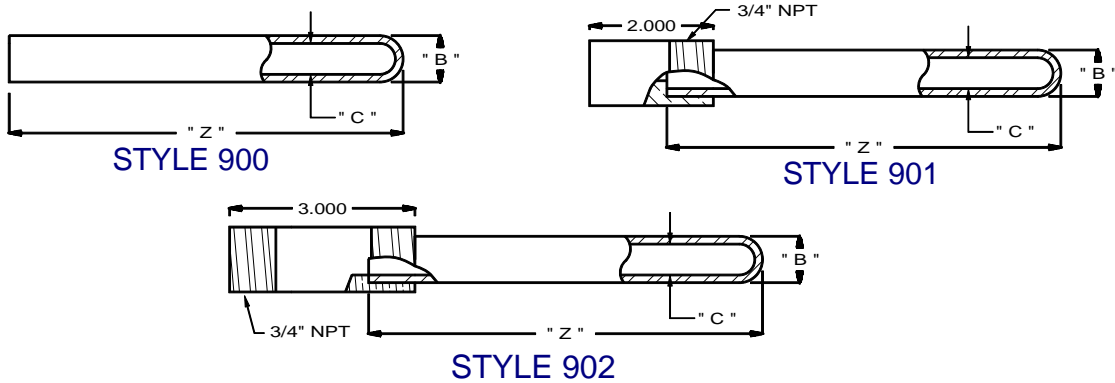


SENSOR THERMOWELLS



CERAMIC - ALUMINA 99.8%

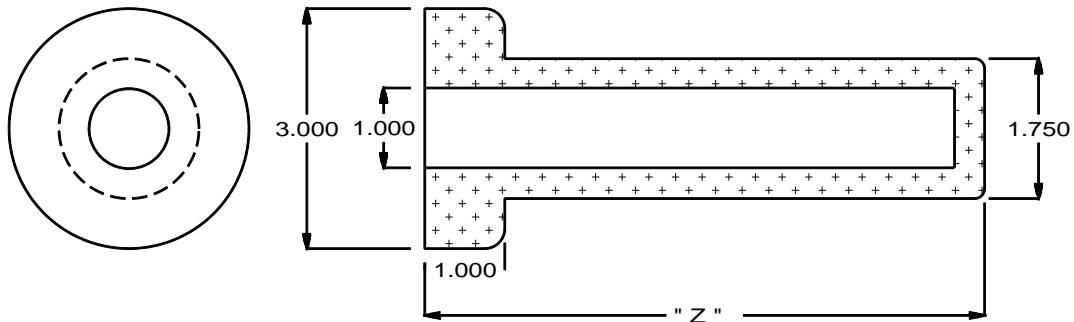
PART NO.
900
901
902

SIZE P / N	" B " WELL DIA.	" C " BORE
A	.375"	.250"
B	.500"	.375"
C	.688"	.437"
D	.75"	.500"

RECRYSTALLIZED ALUMINA, 99.8% PURITY. LOW IMPURITIES LENGTHEN THE THERMOCOUPLE ELEMENT LIFE AND ACCURACY BY REDUCING THE CONTAMINATION, PARTICULARLY FROM SILICA. SERVICE TEMPERATURE 1950 C (3542F) GAS TIGHT, BEST MECHANICALLY AND THERMALLY.

HOW TO ORDER:

PART NO.	SIZE P/N	LENGTH " Z "	OPTIONS AS REQUIRED
----------	----------	--------------	---------------------



SILICON CARBIDE

PART NUMBER	LENGTHS AVAILABLE
950	12, 18, 24, 30, 36, 42, & 48"

HIGHLY RESISTANT TO FLAME AND GAS EROSION. SERVICE TEMPERATURE 1704C (3000F). EXCELLENT THERMAL SHOCK AND PHYSICAL PROPERTIES. SHOULD BE USED AS OUTER TUBE ONLY AS IS MORE POROUS THAN ALUMINA.

HOW TO ORDER:

PART NO.	LENGTH " Z "	OPTIONS AS REQUIRED
----------	--------------	---------------------